

Solar Flood Light User Manual

❖ Solar Flood Light User Manual

- **Human Radar Induction-**
The interference of high harmonics and other clutter can be suppressed effectively.
- **Innovative Design-**
Subverting the previous mechanical design, more sleek lines, more outstanding and upmarket shape.
- **IP66 Waterproof-**
dustproof with good leakproofness, and can withstand the impact of strong rainstorm.
- **Best Customer Experience-**
7 options for lighting mode, extension cable 2m to satisfy different installation requirements.
- **Lighting Modes-**
100% lighting, 50% lighting, sensor, Semi- induction , 3-hours lighting, 5-hours lighting, 8-hours lighting.
- **Lithium Battery-**
adopting LiFePO4 battery to replace traditional gel battery, long-life span.
- **Modular Design -**
all components are modular design and standardized.

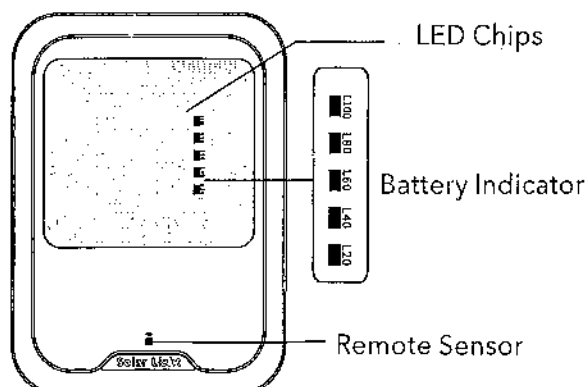
❖ Application

Widely used in rural roads, courtyards, villas, parks, plazas, farms, schools, factories, highways and other places that require outdoor lighting, no cables, zero electricity, energy saving, long service life.

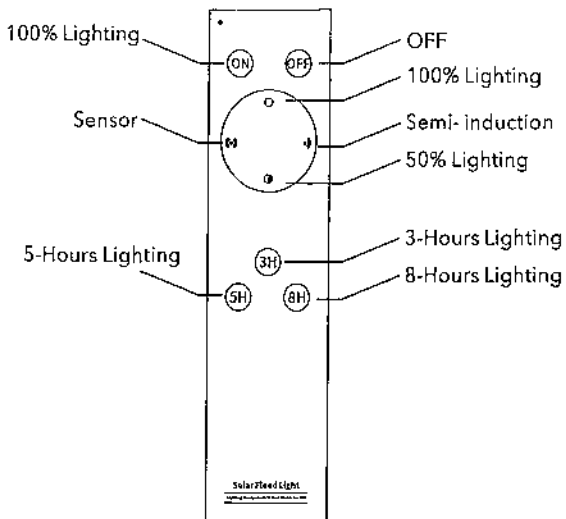
❖ Parameters

Model	Garden Light	Courtyard light	Road light	Square light
Lumen	300 Lumen	600 Lumen	1200 Lumen	1800 Lumen
Solar Panel	8W	16W	24W/32W	48W
Battery Capacity	1*5000mAH (LiFePO4)	2*5000mAH (LiFePO4)	3*5000mAH (LiFePO4)	5*6000mAH (LiFePO4)
Battery Capacity	1*6000mAH (LiFePO4)	2*6000mAH (LiFePO4)	4*6000mAH (LiFePO4)	6*6000mAH (LiFePO4)
Lamp Size	179*145*48.8mm	224.8*164.8*59.8mm	274.8*209.8*79.8mm	307.9*239*80.7mm
Panel Size	310*185*25mm	310*340*25mm	570*340*25mm	(440*340*25mm)X2
G.W.	22.75kg/CTN	26.9kg/CTN	25kg/CTN	31.8kg/CTN
Package	10sets/CTN	8sets/CTN	6sets/CTN	4sets/CTN
IP Class	IP66			
Charging Time	4-5H			
Working Time	10-20H			
Color Temperature	(CW)-(6000- 6500K)			

1. Indication Sign



2. Intelligent Remote Control



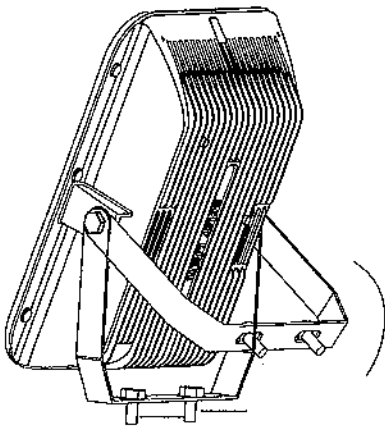
7 Working Mode:

- ① **Sensor mode:** automatically turn on when dark. 100% lighting when people pass by, 25% lighting when people leave.
- ② **Semi-induction mode:** automatically turn on with 100% lighting when dark. Switch to sensor mode after 4 hours. (100% lighting when people pass by, 25% lighting when people leave).
- ③ **100% lighting mode:** automatically turn on with 100% lighting when dark, automatically turn off after dawn.
- ④ **50% lighting mode:** automatically turn on with 50% lighting when dark, automatically turn off after dawn.
- ⑤ **3-Hours lighting mode:** automatically turn on with 100% lighting when dark, automatically turn off after 3 hours.
- ⑥ **5-Hours lighting mode:** automatically turn on with 100% lighting when dark, automatically turn off after 5 hours.
- ⑦ **8-Hours lighting mode:** automatically turn on with 100% lighting when dark, automatically turn off after 8 hours.

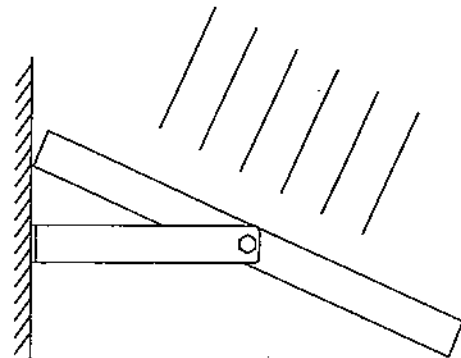
* Attention

- ① Press the "On" button for the first use, then select the mode, otherwise the normally open mode will be considered until the battery is used up.
- ② Except the ON & OFF mode, all other modes are automatically turned off in daytime, and automatically turned on at night.
- ③ Half sensor mode means it will switch to sensor mode after 4 hours' full light.

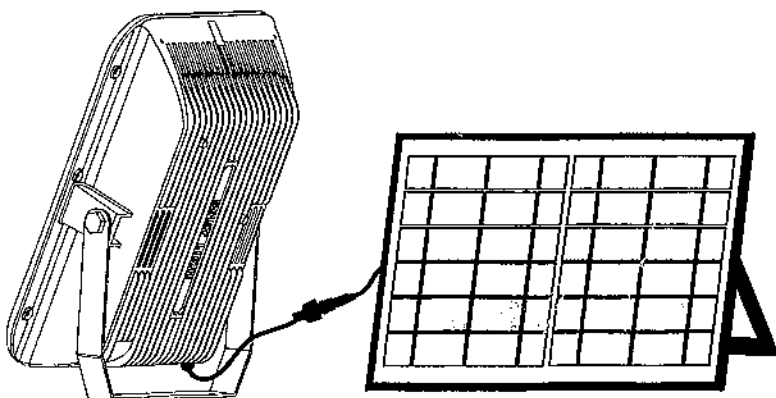
3. Installation



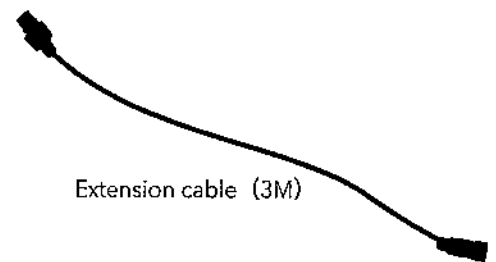
- ① Fix the lamp according to national standards to ensure that it will not fall. Adjust the movable bracket to the appropriate position (rotation angle: 0 degrees - 180 degrees)



- ② Fix and adjust the angle of solar panel according to lamp installation. install the solar panel at place under full sunshine in daytime but without light irradiation at night.



- ③ Connect the lamp and solar panel with power cables.



- * Use the extension cable when the installation distance is over 1M.
(According to power and safety issues, it is recommended that the cable length be <4 meters, if the cable length >4 meters may cause problems such as insufficient charging or long charging time).